

# Safety With a Twist!

## Introducing the new *Hoist Eye 360*®

from

**CarrLane**  
MANUFACTURING CO.



Hoist Eye 360® is a forged lifting eye that can be rotated 360° after installation, to align with pulling-force direction. This compact assembly features a specially designed shoulder bolt, which rotates freely in the precisely machined forged lifting-eye body and is held captive by a retaining ring.

Unlike conventional lifting eyes, Hoist Eye 360® can be used at full rated load capacity when pulling at any angle 0 to 90° from the bolt axis. Available with thread sizes from 3/8-16 to 1"-8. Complies with ASME B30.26 specifications. 200% proof load tested and individually serialized.

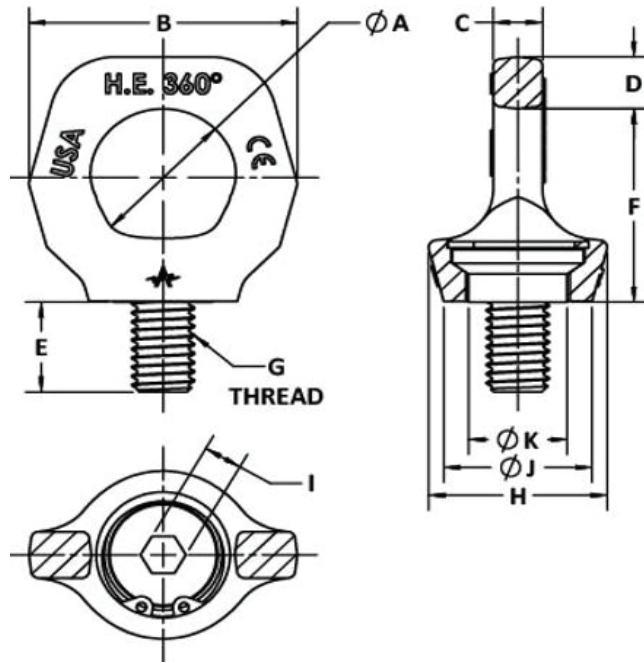
- **Greatest safety factor on the market = 5:1**
- **Exceeds ASME B30.26**
- **Replaceable mounting bolt**
- **Corrosion resistant zinc plating & high visibility powder coat finish for superior corrosion resistance**
- **Made in USA**

---

**MATERIAL: Body** > High-strength forged alloy steel, high-visibility powder-coat finish. **Bolt** > High-strength alloy steel, corrosion resistant plating.  
**Retaining Ring** > Spring steel.

---

PLEASE NOTE: Hoist Eye 360® is suitable for applications where all lifting-eye rotation takes place before lifting begins, with no swivel action occurring while under load. For applications that require swiveling under load, use a Swivel Hoist Ring instead.



An installation key is provided to allow firm tightening by hand, which is allowable for one-time temporary lifting. For permanent installation, tighten by hex wrench to the installation torque listed in the tables below.

## INCH

PART NO.	LOAD RATING (lbs)	G THREAD	A	B	C	D	E	F	H	I HEX DIA	J DIA	K DIA	INSTALLATION TORQUE (ft-lbs)
CL-71120-HE	880	3/8-16	.96	1.81	.36	.37	.61	1.40	1.19	7/32	1.00	.59	12
CL-71146-HE	1650	1/2-13	1.16	2.14	.39	.44	.76	1.64	1.42	5/16	1.18	.79	28
CL-71160-HE	3000	5/8-11	1.30	2.55	.55	.50	.94	1.94	1.69	3/8	1.38	.94	47
CL-71174-HE	4500	3/4-10	1.50	2.95	.63	.59	1.18	2.30	2.00	1/2	1.65	1.14	84
CL-71198-HE	7050	1"-8	1.84	3.53	.75	.72	1.5	2.82	2.35	5/8	1.97	1.34	230

## COMPETITOR CONVERSION

PART NO.	COMPETITOR CONVERSION
CL-71120-HE	VRS-F-3/8"-16UNC
CL-71146-HE	VRS-F-1/2"-13UNC
CL-71160-HE	VRS-F-5/8"-11UNC
CL-71174-HE	VRS-F-3/4"-10UNC
CL-71198-HE	VRS-F-1"-8UNC

For complete technical and installation details, visit [carrlane.com/HE360](http://carrlane.com/HE360)